

SUNON®



东世创

台湾建准电机 (SUNON) 风扇
中国区域正式授权代理经销商

苏州东世创电子科技有限公司

联系人: 李经理

电话: 0512-55001290

传真: 0512-55001295

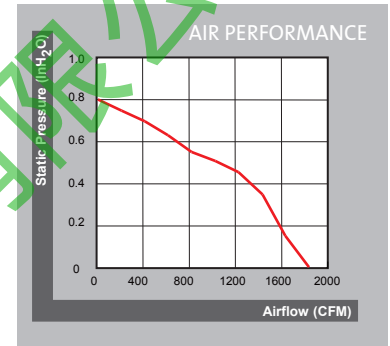
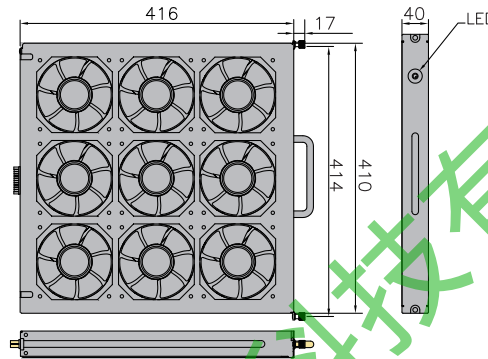
手机: 15995653819

邮箱: Public@cewsz.com

Creating the East World.

FAN TRAY

9 pcs axial fan



Model	Rating Voltage (VDC)	Rating Current (Amp)	Power Consumption (Watt)	Speed (RPM)	Air Flow (CFM)	Static Pressure (Inch-H ₂ O)	Noise (dBA)
9 FAN TYPE FD42109-XXXX	42	5.5	231	4300	1846	0.80	52.0

● Specifications are subject to change without notice. Specifications in this catalog are for reference. For more product information, please contact your SUNON sales representative.

Fan Tray Features

- Communication : I²C interface
- EMC
- Advantage :
 - *Soft Start.
 - *Hot Swappable Function.
 - *Reverse Polarity Protection.
 - *Over Voltage Protection.
 - *Inrush Current Protection.
 - *Over Current Protection.
 - *Linear or Step Speed Change.
 - *Control Fan Speed with Ambient Temperature.
 - *PWM or Voltage Speed Control.
 - *Redundancy Function.
 - *LED Display Fan Tray Health Status.
 - *EEPROM for e-ID.
 - *Thermal Sensor Fail and Fan Fail Alarm Signal Output.

Sunon Fan Tray Capability

- ODM & OEM Design
- Industry/ Telecom (Indoor & outdoor) & Networking and other application
- CAE Capability to Optimal System Cooling Design
- Widely Applicative Fan : 12V / 24V / 48V / 72V
- 100% Burn In Testing & Monitor Equipment
- Flexible Manufacture
- Communication : I²C interface
- Traceability
- 100% Auto Function Testing
- Safety Compliance : UL/CUL/TUV/VDE/CE

SUNON®

中国区域正式授权代理经销商: 苏州东世创电子科技有限公司

联系电话: 0512-55001290

传真: 0512-55001295

邮箱: Public@cewsz.com